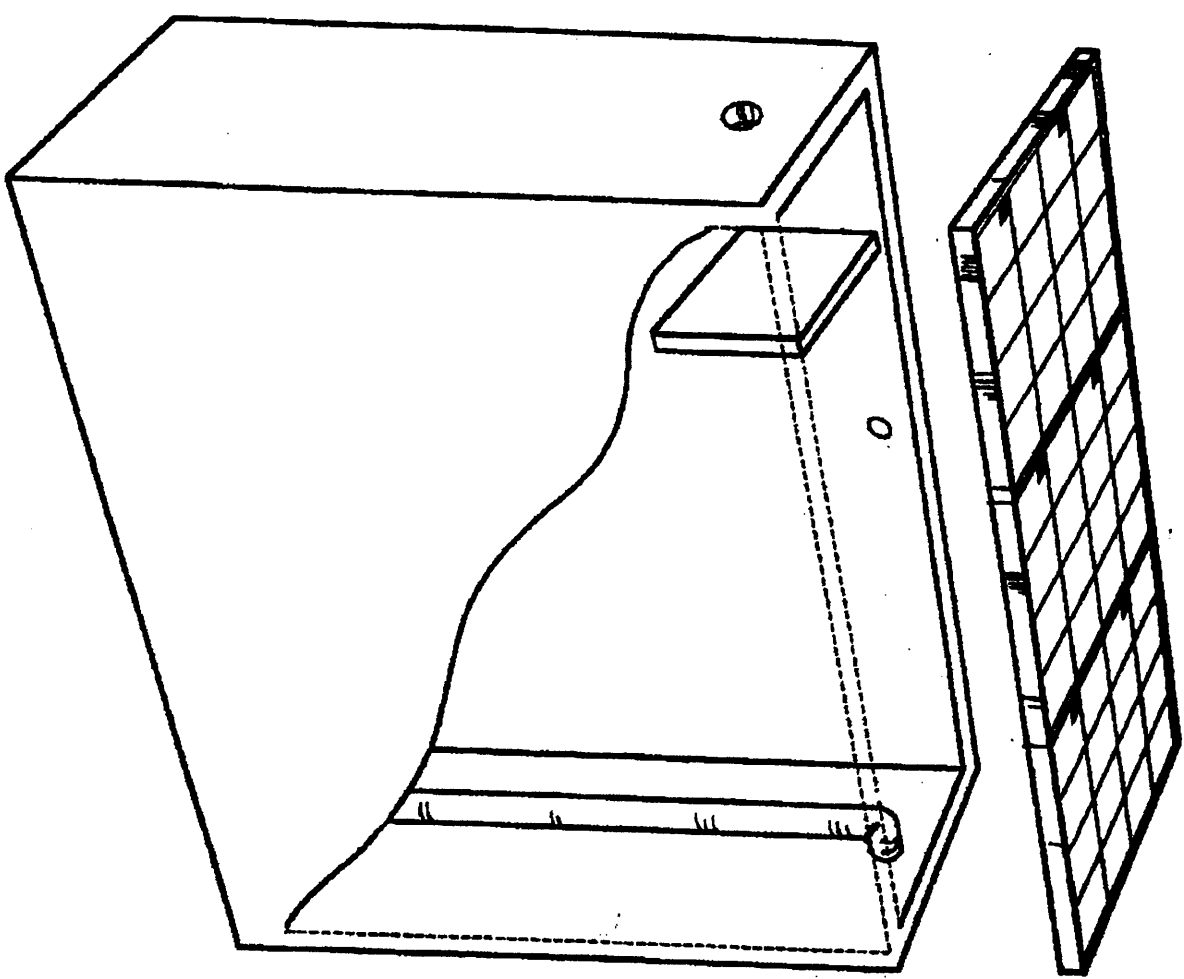


ENVIROSEEP 2000 Litre Petrol & Oil Interceptor



Dimensions (in Millimetres)

Length	2575
Width	950
Height	1700

Bottom of Tank to bottom of Inlet 1305

Excavation Details

Length	2900
Width	1150

lay unit on 75mm Deep Compacted sand if required.

Depth with Lids

Light Duty	1758
Medium Duty	1773
Heavy Duty	1783

TITLE: 2000 Litre Petrol & Oil Interceptor	
Scale	NIS
DATE	5/3/99
DRW BY	<i>[Signature]</i>
CHECKED BY	<i>[Signature]</i>
DATE	5/3/99
DRAWING NO 3031	
ENVIROSEEP SEWAGE TREATMENT AUSTRALIA	
63 -55 CANTERBURY ROAD	
MONIROSE VICTORIA AUSTRALIA	
TEL: 03 9761 9720	
FAX: 03 9761 9145	

Enviroseep Sewage Treatment Australia. 53 -55 Canterbury Road, Montrose. Victoria. Australia
 Sales & Service Hotline: **03 9761 9720** Fax 03 9761 9145