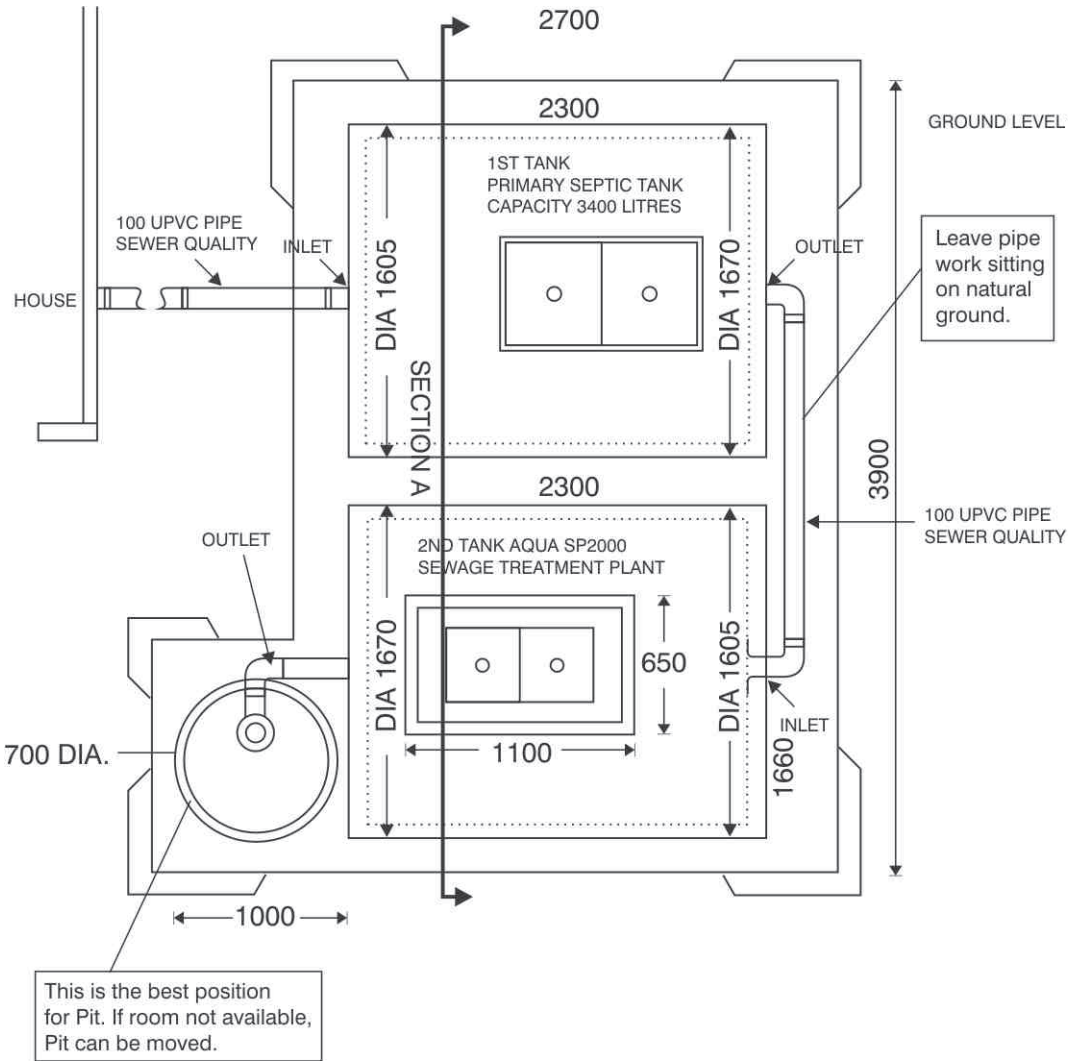
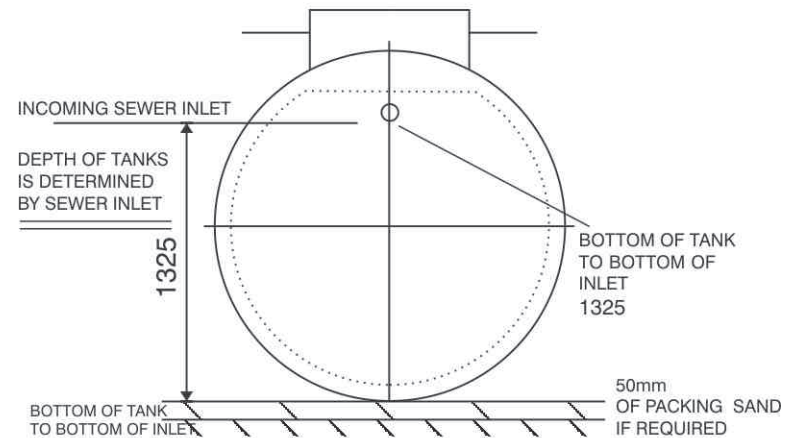
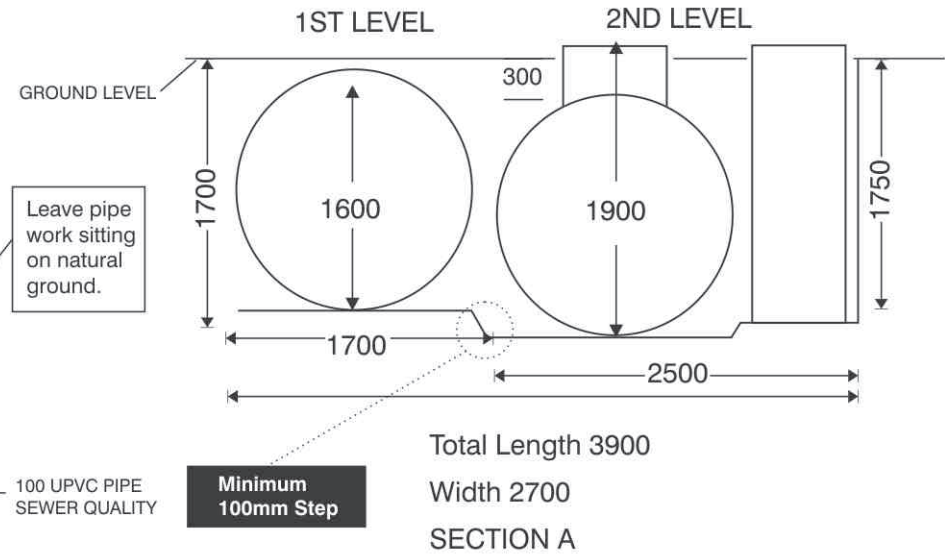


ENVIROSEP AQUA SP2000 Installation Drawing



SITE INSTALLATION PLAN
TOP VIEW



END ELEVATION - 1ST TANK
INFORMATIVE

TITLE: AQUA SP2000 SEWAGE TREATMENT PLANT		Colac Cement Products PTY LTD	
Scale NTS	DATE 5/5/99	Address: 21 Forest Street	Phone: (03) 5231 5231
DRAWING NO 007	DRW BY <i>JHG</i>	Colac, Victoria, 3250	Fax: (03) 5232 2744
	CHECKED BY <i>JHG</i>	Australia	
	DATE 5/5/99		