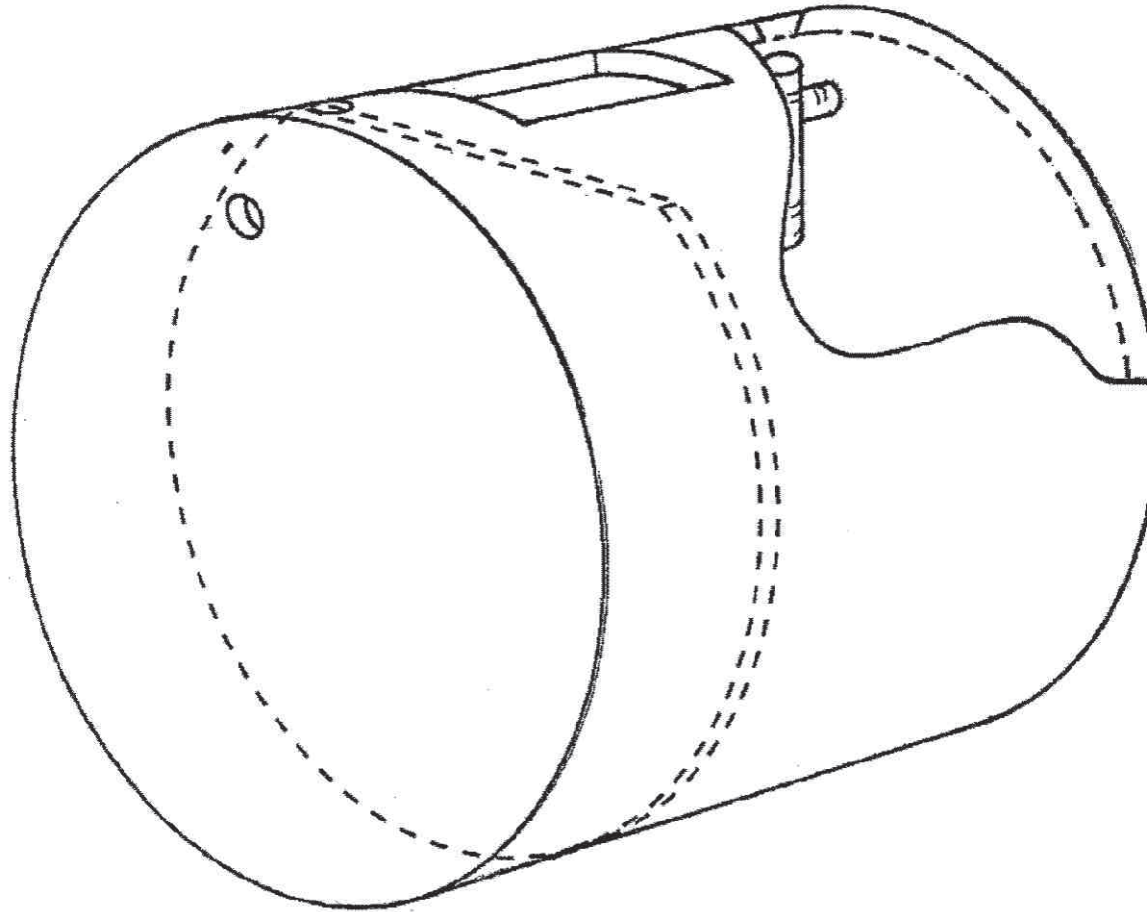


ENVIROSEP 3200 Litre Precast Concrete Septic Tank

Drawing No.
CP003



Dimensions (in Millimetres)

| | |
|--------|------|
| Dia | 1660 |
| Length | 2300 |

Bottom of tank to bottom
in inlet 1310 mm

Excavation Hole Size

| | |
|--------|---------|
| Width | 2000 |
| Depth | As Req. |
| Length | 2500 |

Details

Inlet & Outlet UPVC Fitting
100mm dia

**Saddle Risers
& Pits Available**

All dimensions +/- 20mm

| | |
|--|-------------------------------|
| Title: 3200 Litre Precast Concrete Septic Tank | |
| Scale NTS | DATE 5 / 3 /99 |
| | DRW BY <i>[Signature]</i> |
| Drawing No CP003 | CHECKED BY <i>[Signature]</i> |
| | DATE 5 / 3 /99 |

Colac Cement Products PTY LTD
Address: 21 Forest Street Colac, Victoria, 3250 Australia
Phone: (03) 5231 5231
Fax: (03) 5232 2744