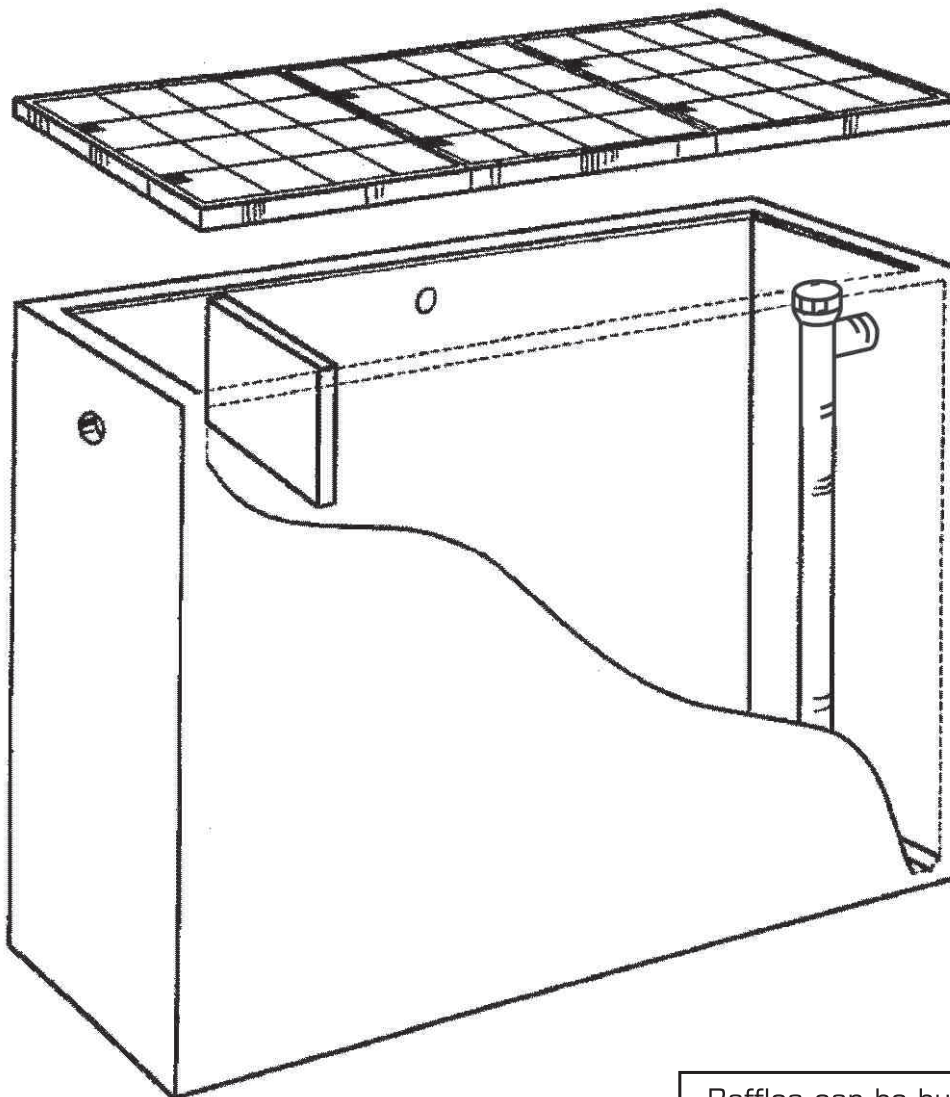


ENVIROSEP 1500 Litre Grease Interceptor

Drawing No.
CP025



Dimensions (in Millimetres)

External

Length	2300
Width	1050
Height	1700

Bottom of Tank to bottom
of Inlet 1340 external

Excavation Details

Length	2900
Width	1200

Lay unit on 75mm
Deep Compacted Sand
if required.

Depth with Lids

Light Duty	1758
Medium Duty	1783
Heavy Duty	1783

All dimensions +/- 20mm

Title: 1500 Litre Grease Interceptor	
Scale NTS	DATE 5 / 3 / 99
	DRW BY <i>[Signature]</i>
Drawing No CP025	CHECKED BY <i>[Signature]</i>
	DATE 5 / 3 / 99

Colac Cement Products PTY LTD
Address: 21 Forest Street Colac, Victoria, 3250 Australia
Phone: (03) 5231 5231
Fax: (03) 5232 2744

Baffles can be built into Trade Waste
Pits so that they can be used for
Storm Water Retention Pits