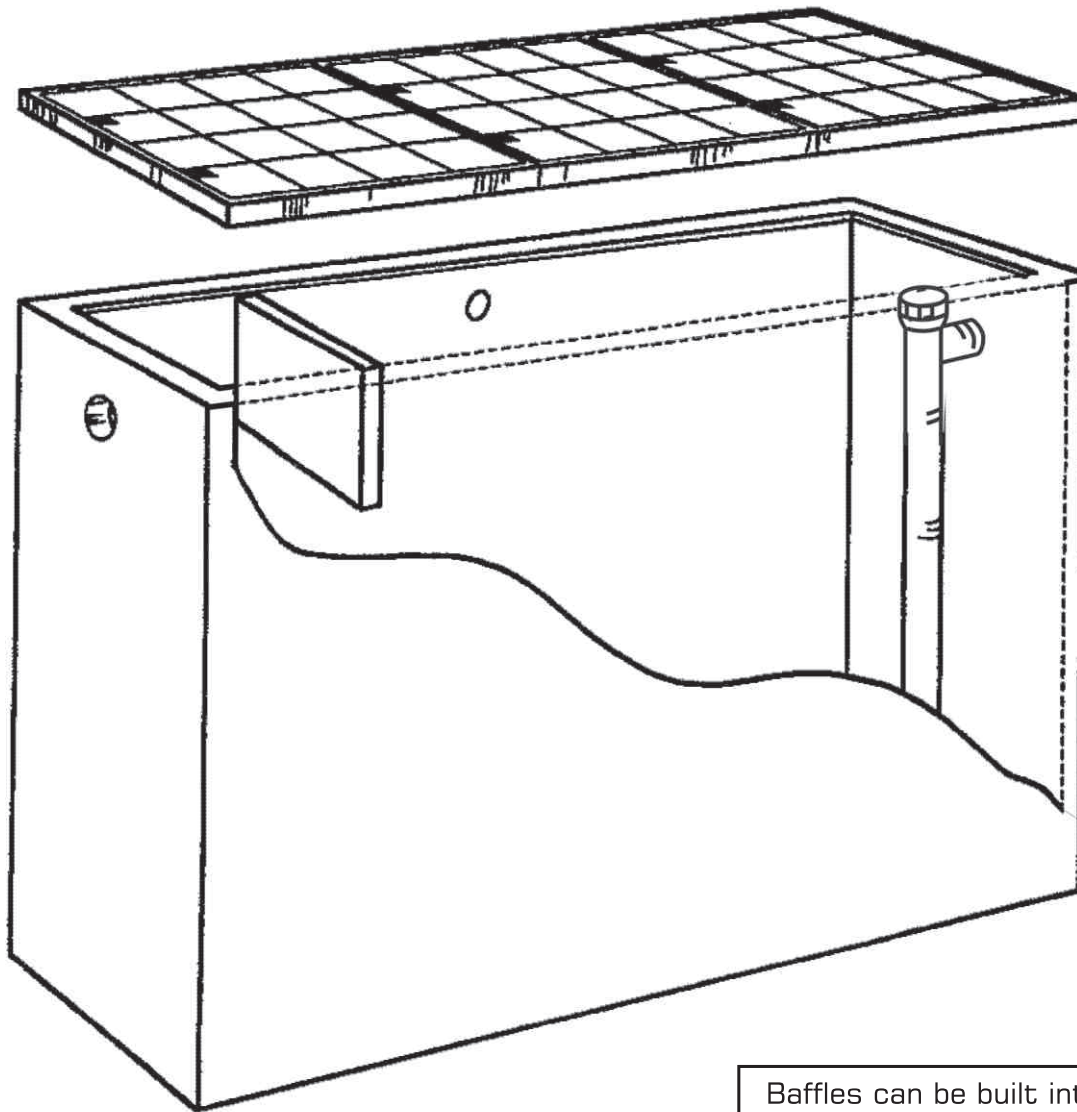


# ENVIROSEP 1100 Litre Grease Interceptor

Drawing No.  
CP024



Dimensions (in Millimetres)

Length	1750
Width	1100
Height	1310

Bottom of Tank to bottom  
of Inlet 1000 external

Excavation Details

Length	2050
Width	1300

Lay unit on 75mm  
Deep Compacted Sand  
if required.

Depth with Lids

Light Duty	1368
Medium Duty	1393
Heavy Duty	1393

All dimensions +/- 20mm

Baffles can be built into Trade Waste  
Pits so that they can be used for  
Storm Water Retention Pits

Title: 1100 Litre Grease Interceptor

Scale NTS	DATE	5 / 3 / 99
	DRW BY	<i>[Signature]</i>
Drawing No CP024	CHECKED BY	<i>[Signature]</i>
	DATE	5 / 3 / 99

Colac Cement Products PTY LTD  
Address: Phone: (03) 5231 5231  
21 Forest Street Fax: (03) 5232 2744  
Colac, Victoria, 3250  
Australia