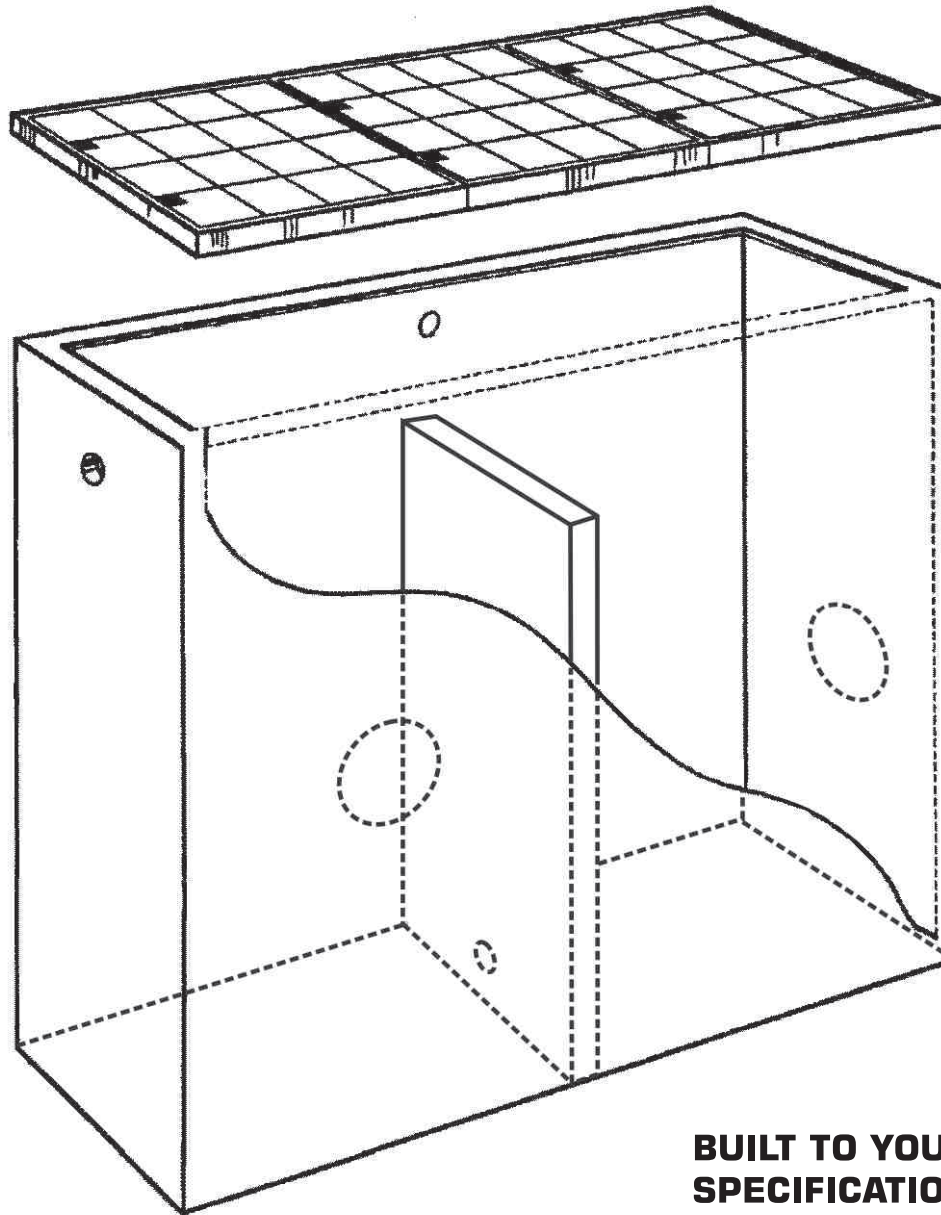


ENVIROSEP Stormwater Retention Pit

Drawing No.
CP029



**BUILT TO YOUR
SPECIFICATIONS**

Dimensions (in Millimetres)

Length	2300
Width	1050
Height	1700

Bottom of Tank to
bottom of Inlet 1340

Excavation Details

Length	2900
Width	1200

Lay unit on 75mm
Deep Compacted Sand
if required.

Depth with Lids

Light Duty	1758
Medium Duty	1783
Heavy Duty	1783

All dimensions +/- 20mm

TITLE: Stormwater Retention Pit	
Scale NTS	DATE 5 / 3 / 99
	DRW BY <i>[Signature]</i>
Drawing No CP029	CHECKED BY <i>[Signature]</i>
	DATE 5 / 3 / 99
Colac Cement Products PTY LTD	
Address:	Phone: (03) 5231 523
21 Forest Street	Fax: (03) 5232 2744
Colac, Victoria, 3250	
Australia	